



Gas Detector / Transducer

Methane / Natural Gas / LP / Propane / Combustible Gases

For Use with: Building Automation Systems , Energy Management Systems, Macurco DVP-12



GT-11

- Dual linear output transducer for use with Building Automation Systems, Energy Management Systems, Macurco **DVP-12** Control Panel. Unit sends either a 4 to 20 milliamps or 1 to 5 volt signal.
- The standard calibration for the GT-11 is to the following range: 0 to 10,000 parts per million (ppm) of methane. 10,000 ppm is approximately 20% of the Lower Explosive Limit (LEL) of methane.
- Easy installation: Input voltage is 24 VAC or 24 VDC. The unit mounts over a standard 4 x 4 electrical box. Optional duct mounting kit (DMK-1) is available for special applications.
- Dual operating LED indicators: the green LED indicates normal operating condition, while the amber LED indicated a trouble condition.
- Supervised System: Unit continually performs an internal self-test. The amber LED indicates a trouble condition if there is a sensor or circuit failure.
- Standard calibration detects the following gases: methane, natural gas, propane, butane, gasoline fumes, acetylene and LP.
- Special calibrations are available to detect other hydrocarbon gases including: jet fuel, alcohol, ethane, kerosene, xylene, etc.
- Low maintenance self-purging semiconductor sensor. Sensor life is 7 to 10 years.

AUTHORIZED DISTRIBUTOR:

GasDetectorsUSA.com

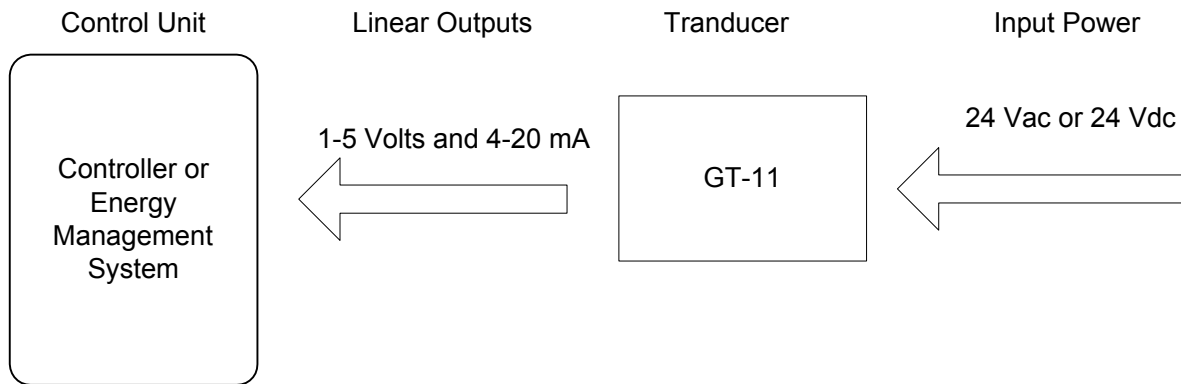
Houston, Texas USA

sales@GasDetectorsUSA.com

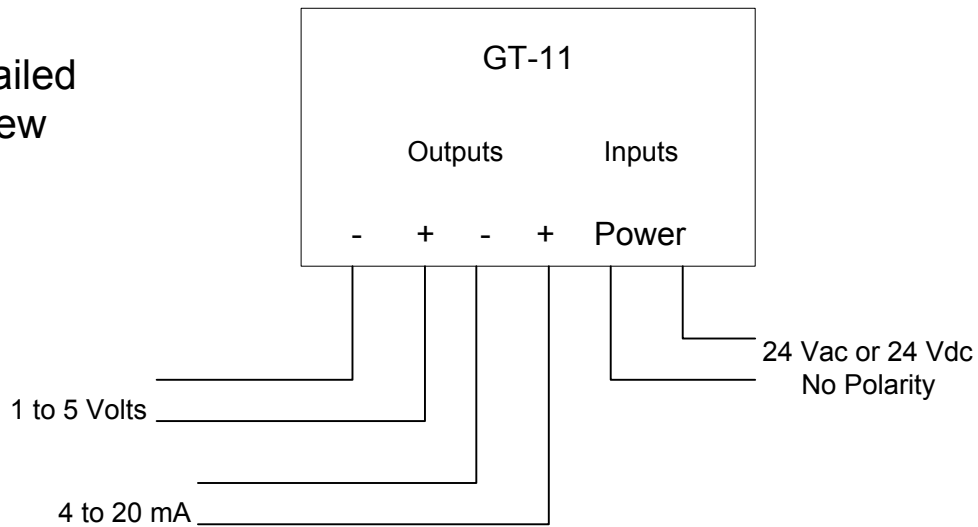
832-615-3588

Typical Wiring Diagram

General View



Detailed View



Specifications

Input Voltage:	24 Vac or 24 Vdc
Typical Current Usage:	130 mA @ 24 Vac, 90mA @ 24 Vdc
Size:	4.5 x 4.5 x 1.75 inches
Color:	White
Shipping Weight:	One Pound
Operating Environment:	0 to 125°F and 10 to 90% (non-condensing)
Current Output:	4 to 20 mA
Voltage Output:	1 to 5 V
Range:	0 to 10,000 ppm of methane (standard calibration)